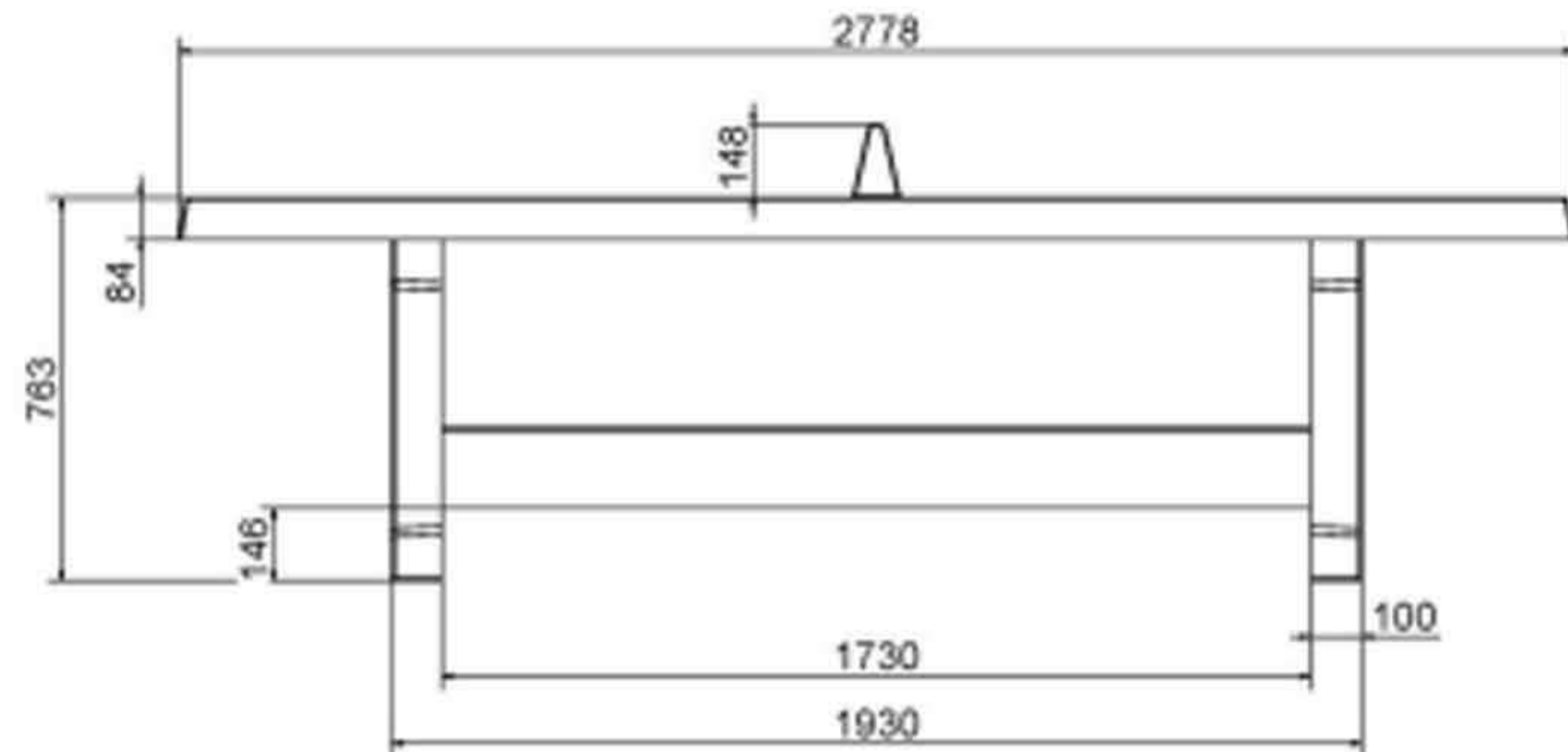
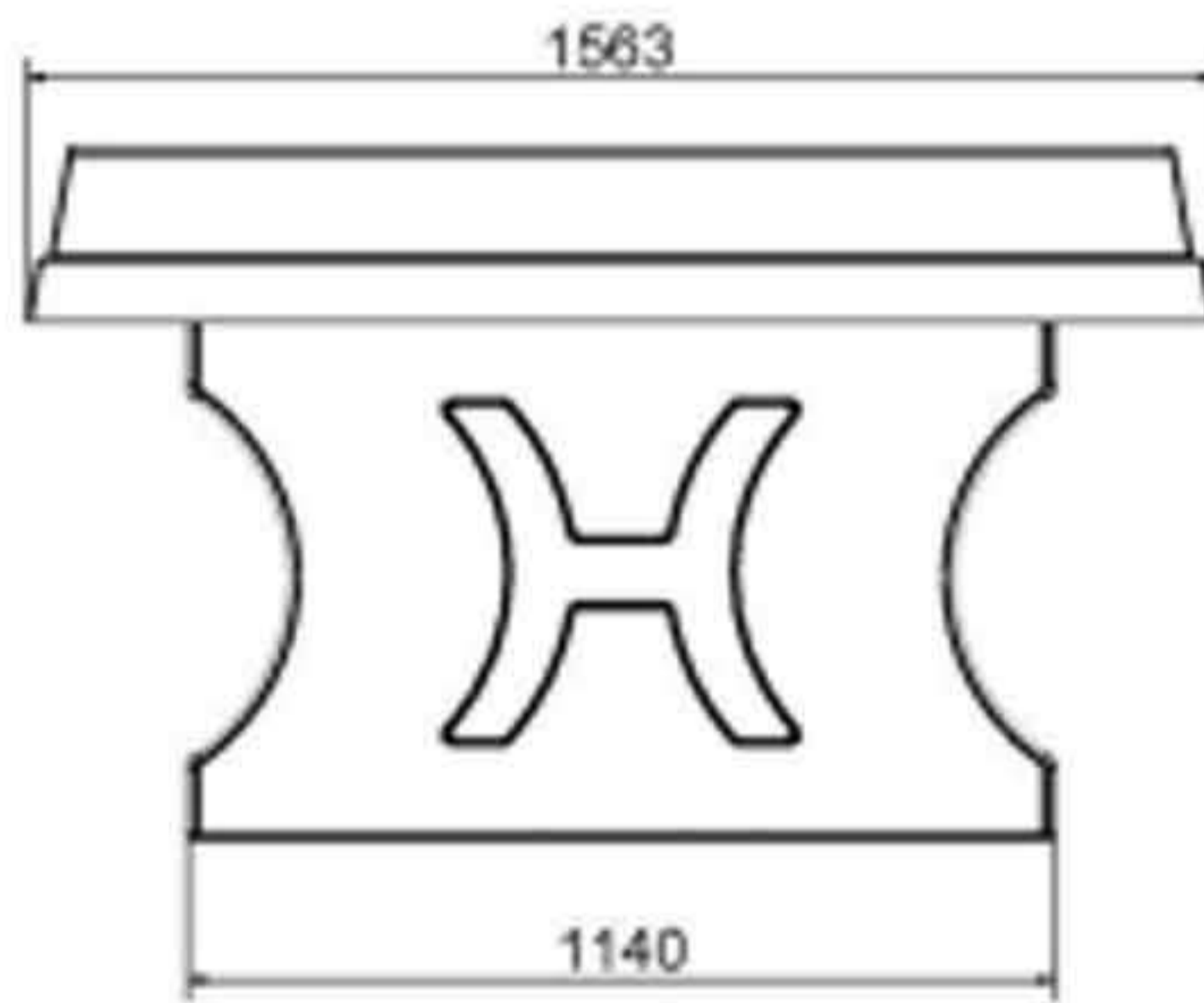
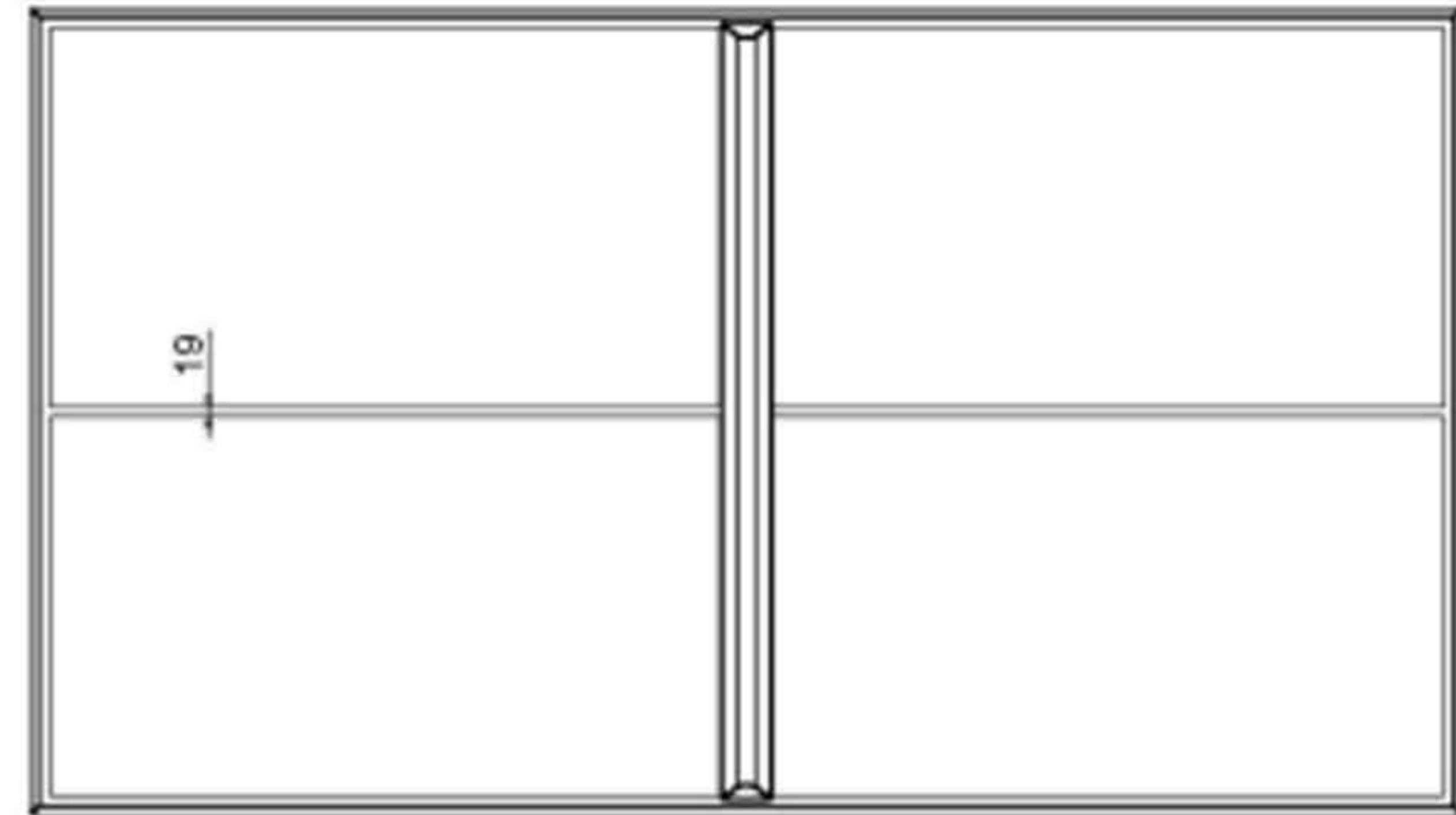




Concrete Table Tennis Table

This rectangular ping-pong table with a green, blue, anthracite or natural playing surface is a recreational tournament table for outdoor sport. Because this table is reinforced with double layers of steel (above and below) it resists all wind and weather conditions: good for many years and a lot of joy of playing.

The ping-pong table is moulded in one piece, that means also the “net” in the middle is solid concrete. The playing surface is sprayed in colour with a two-component lacquer. The white lining and the “net” are not stickered but solid paint and lacquer.



Specifications Concrete Table Tennis Table

- Dimensions tabletop 274 x 152 cm
- Dimensions underside tabletop 278 x 156 cm
- Tabletop thickness 8,4 cm
- Height tabletop 76 cm
- Height of the net 14,75 cm
- Weight 1360 kg
- Distance legs 183 cm (centre to centre)